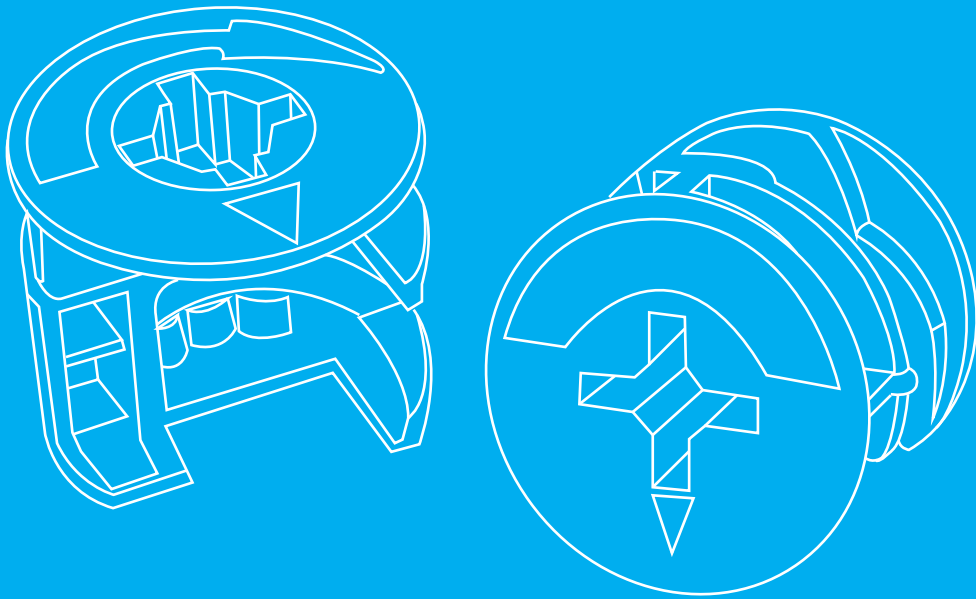
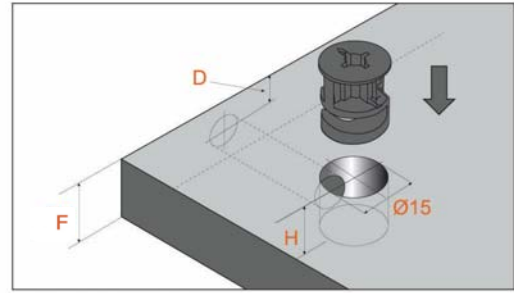

Cam Series

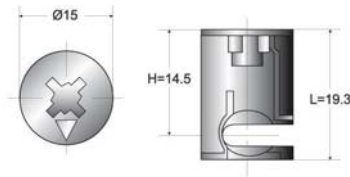


Cam for More Than 22mm Panel Thickness

Suitable for more than 22mm wood panel thickness

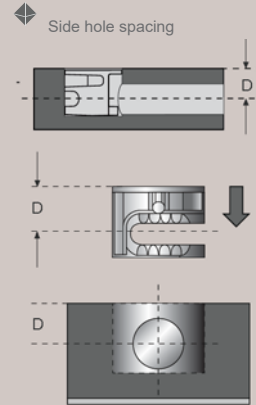


Material: Zamak



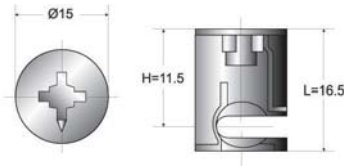
61-CC1100

| | |
|---------------------|--------|
| Drilling depth H | 20mm |
| Drilling distance D | 14.5mm |
| Thickness F | 29mm |



Drilling for bolt is the same as D

Material: Zamak



61-CC1200

| | |
|---------------------|--------|
| Drilling depth H | 17mm |
| Drilling distance D | 11.5mm |
| Thickness F | 22mm |

Cam for 18-19mm Panel Thickness

Customizable finish of cam



Red bronze plating



Green bronze plating

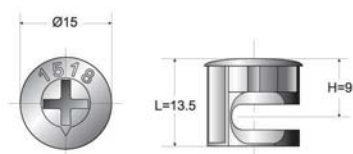


Black-zinc plating



Irised-zinc plating

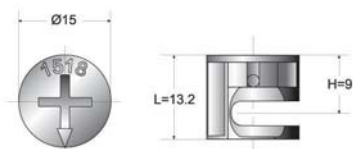
Material: Zamak



61-CC1300

| | |
|---------------------|------|
| Drilling depth H | 14mm |
| Drilling distance D | 9mm |

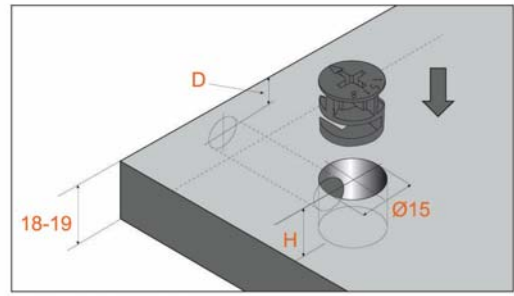
Material: Zamak



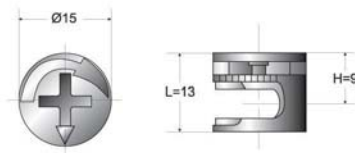
61-CC1310

| | |
|---------------------|--------|
| Drilling depth H | 13.7mm |
| Drilling distance D | 9mm |

• Suitable for 18-19mm wood panel thickness



Material: Zamak



61-CC1340

Drilling depth H 13.5mm

Drilling distance D 9mm

Customizable finish of cam



Nickel plating

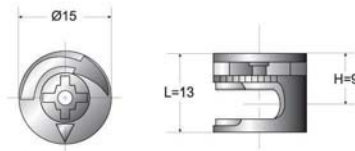


Blue-zinc plating



White-zinc plating

Material: Zamak



61-CC1350

Drilling depth H 13.5mm

Drilling distance D 9mm

Cam for 15-16mm Panel Thickness

Material: Zamak

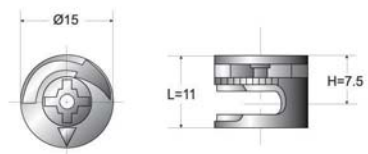
◆ Type of Hexagonal-cross cam



Hexagonal-cross cam
A



Hexagonal-cross cam
B



61-CC1530

Drilling depth H 11.5mm

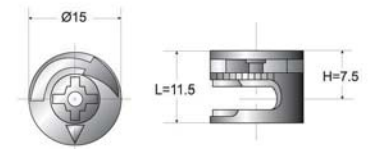
Drilling distance D 7.5mm

◆ Cover for Hexagonal-cross cam



No.PC7015

Material: Zamak

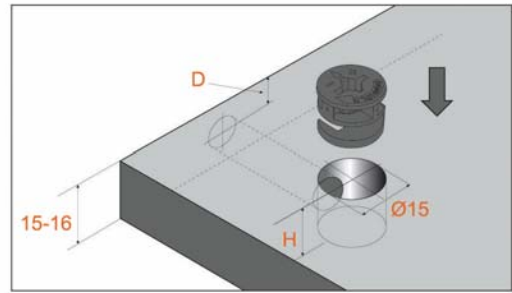


61-CC1540

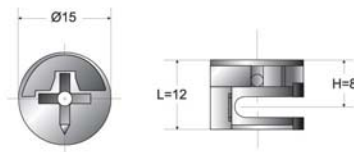
Drilling depth H 12mm

Drilling distance D 7.5mm

• Suitable for 15-16mm wood panel thickness



Material: Zamak



61-CC1570

Drilling depth H 12.5mm

Drilling distance D 8mm

◆ Screwdriver for Hexagonal-cross cam

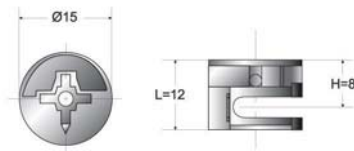


Philips screwdriver, size 2



Hexagonal screwdriver, size 4mm

Material: Zamak

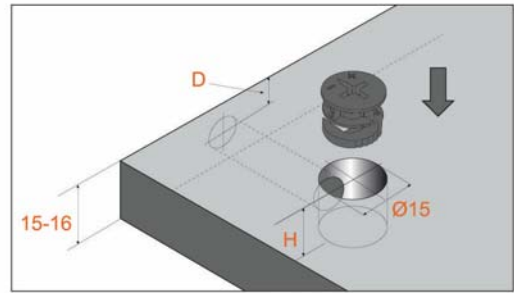


61-CC1580

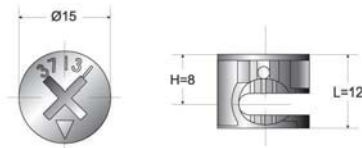
Drilling depth H 12.5mm

Drilling distance D 8mm

• Suitable for 15-16mm wood panel thickness



Material: Zamak



61-CC1420

| | |
|---------------------|--------|
| Drilling depth H | 12.5mm |
| Drilling distance D | 8mm |

◆ Screwdriver for Cross-solt cam

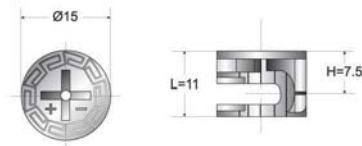


Slotted screwdriver



Philips screwdriver, size 2

Material: Zamak

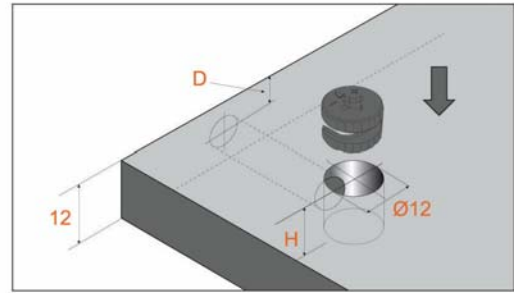


61-CC1560

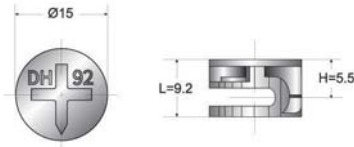
| | |
|---------------------|--------|
| Drilling depth H | 11.5mm |
| Drilling distance D | 7.5mm |

Cam for 12mm Panel Thickness Ø15mm Cam

- Suitable for 12mm wood panel thickness



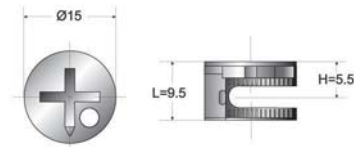
Material: Zamak



61-CC1620

| | |
|---------------------|-------|
| Drilling depth H | 9.7mm |
| Drilling distance D | 5.5mm |

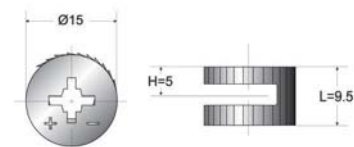
Material: Zamak



61-CC1610

| | |
|---------------------|-------|
| Drilling depth H | 10mm |
| Drilling distance D | 5.5mm |

Material: Zamak

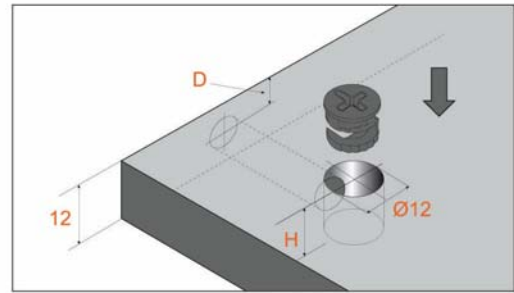


61-CC1600

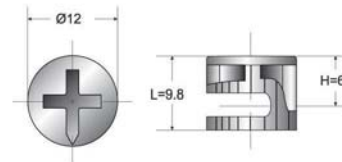
| | |
|---------------------|------|
| Drilling depth H | 10mm |
| Drilling distance D | 5mm |

Cam for 12mm Panel Thickness Ø12mm Cam

- Suitable for 12mm wood panel thickness
- Drilling diameter is 12mm



Material: Zamak

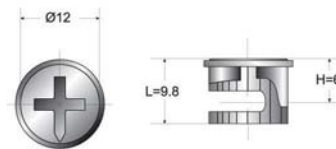


61-CC1730

Drilling depth H 10.3mm

Drilling distance D 6mm

Material: Zamak

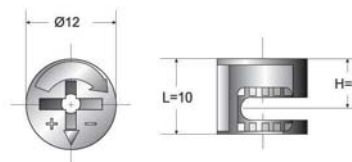


61-CC1710

Drilling depth H 9.5mm

Drilling distance D 5mm

Material: Zamak

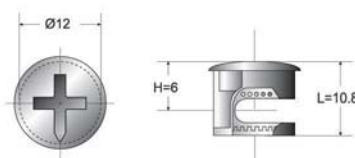


61-CC1720

Drilling depth H 10.5mm

Drilling distance D 6mm

Material: Zamak



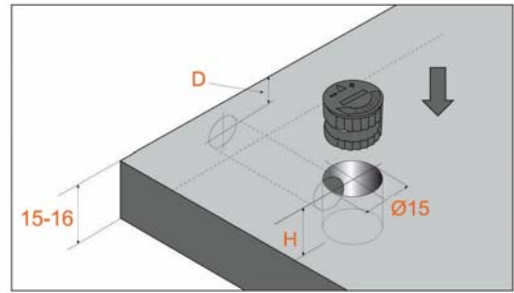
61-CC1740

Drilling depth H 9.5mm

Drilling distance D 5.5mm

Cam Made of Plastic

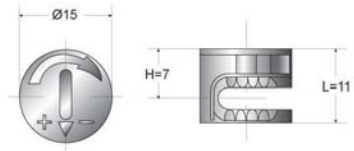
- The following cams are made of plastic



Customizable plastic color



Material: PC

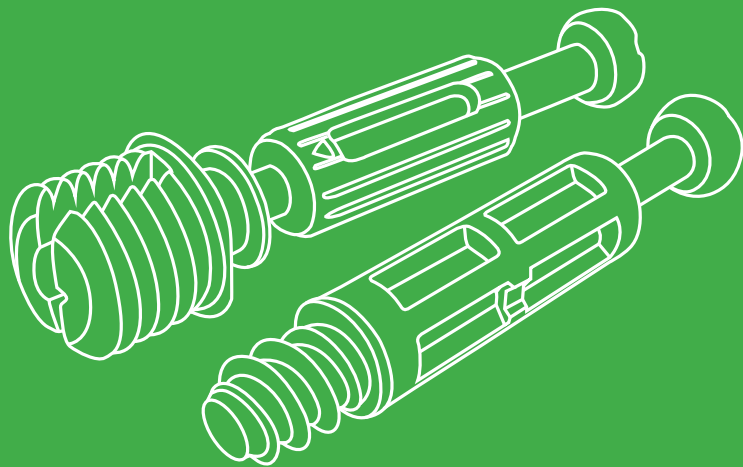


50-CC1920

Drilling depth H 11.5mm

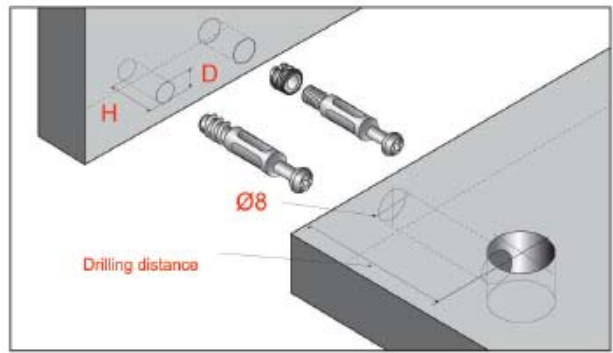
Drilling distance D 7mm

Blot Series



Plastic-bolt Without Circlip

- Special sizes can be customized



Type of PZ Drives head



PZ Drives head



PZ Drives head

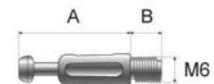
Screwdriver for PZ Drives head



PZ Driver, size 2

Thread Bolt

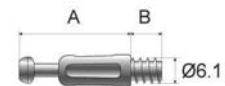
Material: PP+Steel



| Item number | A | B | D×H |
|-------------|------|-----|-----|
| 61-CB2000 | 24mm | 8mm | - |
| 61-CB2020 | 27mm | 8mm | - |
| 61-CB2040 | 28mm | 8mm | - |
| 61-CB2060 | 32mm | 8mm | - |
| 61-CB2080 | 34mm | 8mm | - |

Self-driven

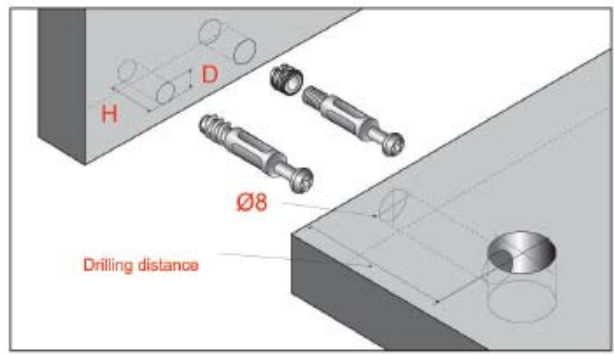
Material: PP+Steel



| Item number | A | B | D×H |
|-------------|------|------|--------|
| 61-CB2005 | 24mm | 9mm | 5×9mm |
| 61-CB2010 | 24mm | 11mm | 5×11mm |
| 61-CB2025 | 27mm | 9mm | 5×9mm |
| 61-CB2030 | 27mm | 11mm | 5×11mm |
| 61-CB2045 | 28mm | 9mm | 5×9mm |
| 61-CB2050 | 28mm | 11mm | 5×11mm |
| 61-CB2065 | 32mm | 9mm | 5×9mm |
| 61-CB2070 | 32mm | 11mm | 5×11mm |
| 61-CB2085 | 34mm | 9mm | 5×9mm |
| 61-CB2090 | 34mm | 11mm | 5×11mm |

Plastic-bolt With Circlip

- Special sizes can be customized



Thread Bolt

Material: PP+Steel



| Item number | A | B | D×H |
|-------------|------|-----|-----|
| 61-CB2500 | 24mm | 8mm | - |
| 61-CB2520 | 27mm | 8mm | - |
| 61-CB2540 | 28mm | 8mm | - |
| 61-CB2560 | 32mm | 8mm | - |
| 61-CB2580 | 34mm | 8mm | - |

◆ Type of PZ Phil-Slot head



Phil-Slot head



Phil-Slot head



Phil-Slot head

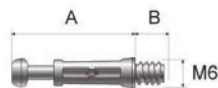
◆ Screwdriver for Phil-Slot head



Philips screwdriver, size 2

Self-driven

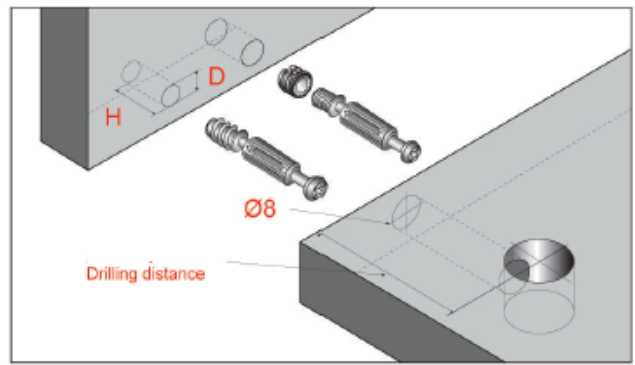
Material: PP+Steel



| Item number | A | B | D×H |
|-------------|------|------|--------|
| 61-CB2505 | 24mm | 9mm | 5×9mm |
| 61-CB2510 | 24mm | 11mm | 5×11mm |
| 61-CB2525 | 27mm | 9mm | 5×9mm |
| 61-CB2530 | 27mm | 11mm | 5×11mm |
| 61-CB2545 | 28mm | 9mm | 5×9mm |
| 61-CB2550 | 28mm | 11mm | 5×11mm |
| 61-CB2565 | 32mm | 9mm | 5×9mm |
| 61-CB2570 | 32mm | 11mm | 5×11mm |
| 61-CB2585 | 34mm | 9mm | 5×9mm |
| 61-CB2590 | 34mm | 11mm | 5×11mm |

Donholn Movable-bolt

- Special sizes can be customized



Optional plastic part



LingTong plastic



Half encirclement plastic



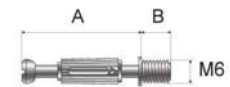
Detachable plastic



Prismatic plastic

Thread Bolt

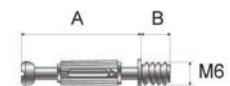
Material: PP+Steel



| Item number | A | B | D×H |
|-------------|------|-----|-----|
| 61-CB2100 | 24mm | 8mm | - |
| 61-CB2120 | 27mm | 8mm | - |
| 61-CB2140 | 28mm | 8mm | - |
| 61-CB2160 | 32mm | 8mm | - |
| 61-CB2180 | 34mm | 8mm | - |

Self-driven

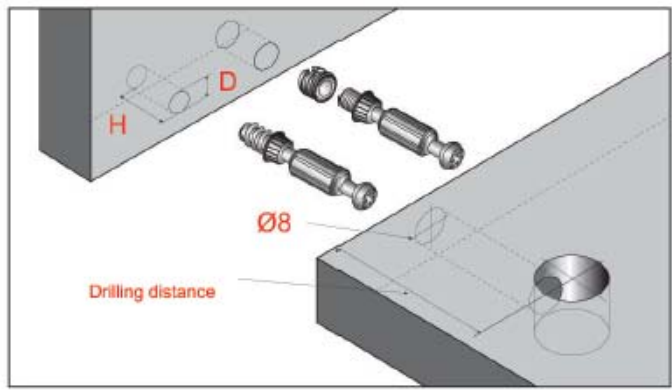
Material: PP+Steel



| Item number | A | B | D×H |
|-------------|------|------|--------|
| 61-CB2105 | 24mm | 9mm | 5×9mm |
| 61-CB2110 | 24mm | 11mm | 5×11mm |
| 61-CB2125 | 27mm | 9mm | 5×9mm |
| 61-CB2130 | 27mm | 11mm | 5×11mm |
| 61-CB2145 | 28mm | 9mm | 5×9mm |
| 61-CB2150 | 28mm | 11mm | 5×11mm |
| 61-CB2165 | 32mm | 9mm | 5×9mm |
| 61-CB2170 | 32mm | 11mm | 5×11mm |
| 61-CB2185 | 34mm | 9mm | 5×9mm |
| 61-CB2190 | 34mm | 11mm | 5×11mm |

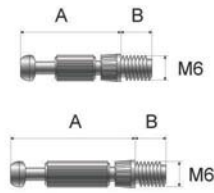
Plastic-bolt With Bold Circlip

- Special sizes can be customized

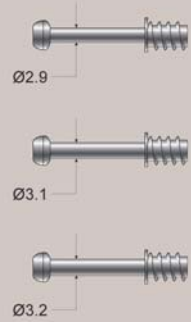


Thread Bolt

Material: PP+Steel



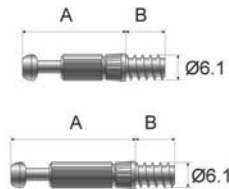
Customizable thickness of body



| Item number | A | B | D×H |
|-------------|------|-----|-----|
| 61-CB2615 | 24mm | 8mm | - |
| 61-CB2610 | 34mm | 8mm | - |

Self-driven

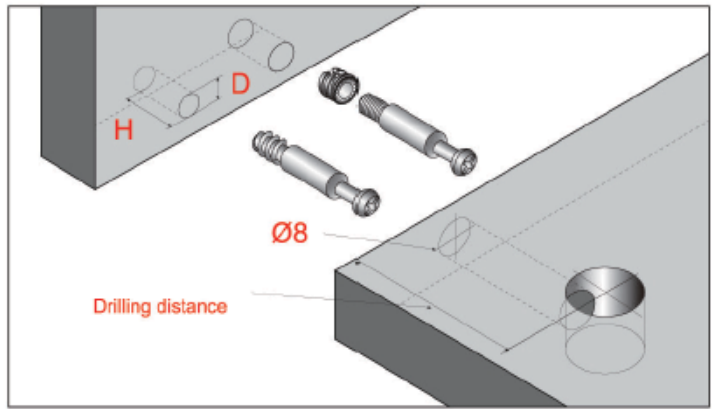
Material: PP+Steel



| Item number | A | B | D×H |
|-------------|------|------|--------|
| 61-CB2618 | 24mm | 11mm | 5×11mm |
| 61-CB2620 | 34mm | 11mm | 5×11mm |

Iron Bolt Without Circlip

- Special sizes can be customized

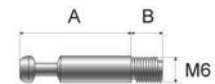


◆ Different thread type of iron bolt



Thread Bolt

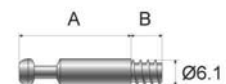
Material: Steel



| Item number | A | B | D×H |
|-------------|------|-----|-----|
| 61-CB2220 | 24mm | 8mm | - |
| 61-CB2240 | 27mm | 8mm | - |
| 61-CB2250 | 28mm | 8mm | - |
| 61-CB2260 | 32mm | 8mm | - |
| 61-CB2280 | 34mm | 8mm | - |

Self-driven

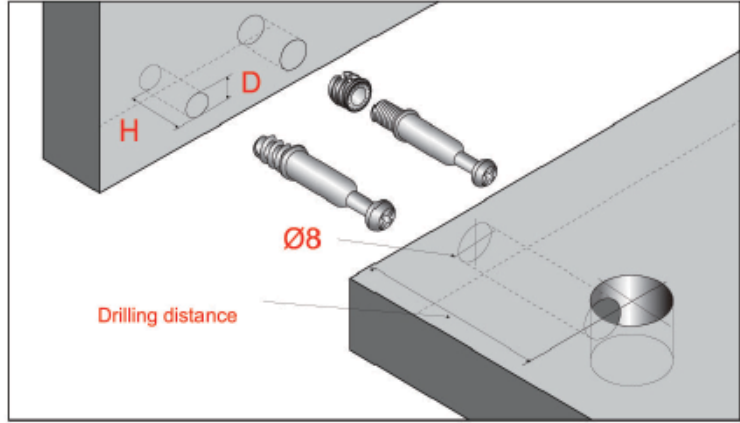
Material: Steel



| Item number | A | B | D×H |
|-------------|------|------|--------|
| 61-CB2295 | 24mm | 9mm | 5×9mm |
| 61-CB2300 | 24mm | 11mm | 5×11mm |
| 61-CB2305 | 27mm | 9mm | 5×9mm |
| 61-CB2310 | 27mm | 11mm | 5×11mm |
| 61-CB2315 | 28mm | 9mm | 5×9mm |
| 61-CB2320 | 28mm | 11mm | 5×11mm |
| 61-CB2325 | 32mm | 9mm | 5×9mm |
| 61-CB2330 | 32mm | 11mm | 5×11mm |
| 61-CB2335 | 34mm | 9mm | 5×9mm |
| 61-CB2340 | 34mm | 11mm | 5×11mm |

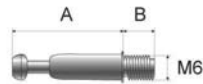
Iron Bolt With Circlip

- Special sizes can be customized



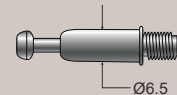
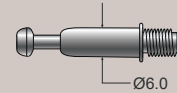
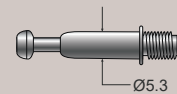
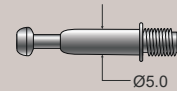
Thread Bolt

Material: Steel



| Item number | A | B | D×H |
|-------------|------|-----|-----|
| 61-CB2360 | 24mm | 8mm | - |
| 61-CB2370 | 27mm | 8mm | - |
| 61-CB2375 | 28mm | 8mm | - |
| 61-CB2380 | 32mm | 8mm | - |
| 61-CB2390 | 34mm | 8mm | - |

Customizable thickness



Special size with iron bolt



25mm iron bolt with circlip



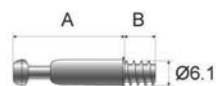
25mm iron bolt with circlip



28mm iron bolt with circlip

Self-driven

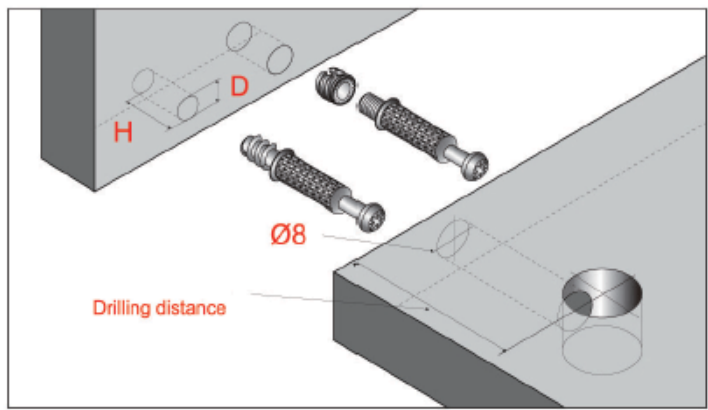
Material: Steel



| Item number | A | B | D×H |
|-------------|------|------|--------|
| 61-CB2405 | 24mm | 9mm | 5×9mm |
| 61-CB2410 | 24mm | 11mm | 5×11mm |
| 61-CB2415 | 27mm | 9mm | 5×9mm |
| 61-CB2420 | 27mm | 11mm | 5×11mm |
| 61-CB2425 | 28mm | 9mm | 5×9mm |
| 61-CB2430 | 28mm | 11mm | 5×11mm |
| 61-CB2435 | 32mm | 9mm | 5×9mm |
| 61-CB2440 | 32mm | 11mm | 5×11mm |
| 61-CB2445 | 34mm | 9mm | 5×9mm |
| 61-CB2450 | 34mm | 11mm | 5×11mm |

Knurling Iron Bolt With Circlip

- Special sizes can be customized

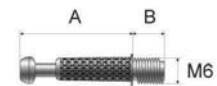


Customizable thickness



Thread Bolt

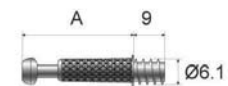
Material: Steel



| Item number | A | B | D×H |
|-------------|------|-----|-----|
| 61-CB2625 | 24mm | 8mm | - |
| 61-CB2630 | 27mm | 8mm | - |
| 61-CB2635 | 28mm | 8mm | - |
| 61-CB2640 | 32mm | 8mm | - |
| 61-CB2642 | 34mm | 8mm | - |

Self-driven

Material: Steel

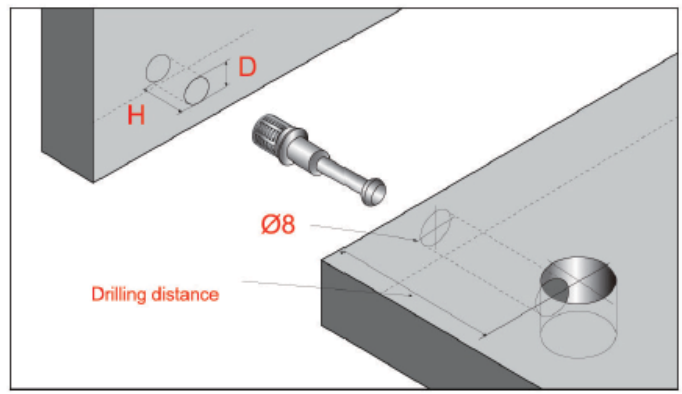


| Item number | A | B | D×H |
|-------------|------|------|--------|
| 61-CB2645 | 24mm | 9mm | 5×9mm |
| 61-CB2650 | 24mm | 11mm | 5×11mm |
| 61-CB2653 | 27mm | 9mm | 5×9mm |
| 61-CB2655 | 27mm | 11mm | 5×11mm |
| 61-CB2657 | 28mm | 9mm | 5×9mm |
| 61-CB2659 | 28mm | 11mm | 5×11mm |
| 61-CB2663 | 32mm | 9mm | 5×9mm |
| 61-CB2665 | 32mm | 11mm | 5×11mm |
| 61-CB2668 | 34mm | 9mm | 5×9mm |
| 61-CB2670 | 34mm | 11mm | 5×11mm |

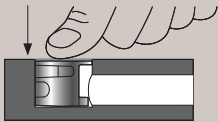
Quickfit Bolt Series

Ø8mm Bolt

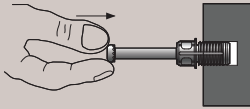
- Special sizes can be customized



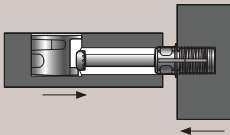
Instruction of quickfit dowels



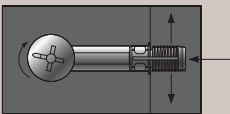
1. Press the cam into face board



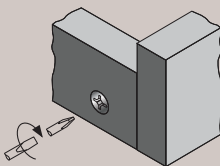
2. Insert the dowel into side panel



3. Assemble the panels

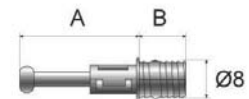


4. Tighten the cam to lock dowel



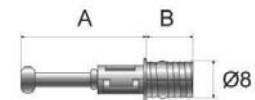
5. Finish the assembly

Material: PA+Steel



| Item number | A | B | D×H |
|-------------|------|------|--------|
| 61-CB2700 | 23mm | 11mm | 8×11mm |
| 61-CB2705 | 26mm | 11mm | 8×11mm |
| 61-CB2710 | 31mm | 11mm | 8×11mm |
| 61-CB2720 | 33mm | 11mm | 8×11mm |

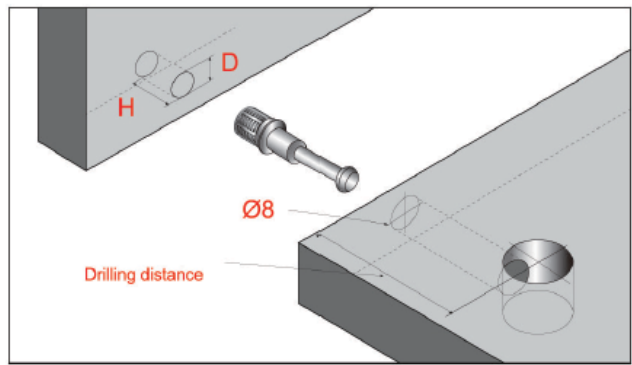
Material: PA+Steel



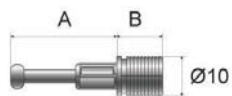
| Item number | A | B | D×H |
|-------------|------|------|--------|
| 61-CB2725 | 23mm | 11mm | 8×11mm |
| 61-CB2730 | 26mm | 11mm | 8×11mm |
| 61-CB2735 | 31mm | 11mm | 8×11mm |
| 61-CB2740 | 33mm | 11mm | 8×11mm |

Quickfit Bolt Series Ø10mm Bolt

- Special sizes can be customized



Material: PA+Steel

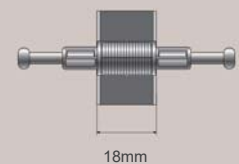


| Item number | A | B | D×H |
|-------------|------|------|---------|
| 61-CB2750 | 23mm | 11mm | 10×11mm |
| 61-CB2755 | 26mm | 11mm | 10×11mm |
| 61-CB2760 | 31mm | 11mm | 10×11mm |
| 61-CB2770 | 33mm | 11mm | 10×11mm |

Customizable plastic part

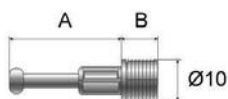


Installation instructions to 9mm quickfit bolt



9mm Quickfit bolt for 18mm board

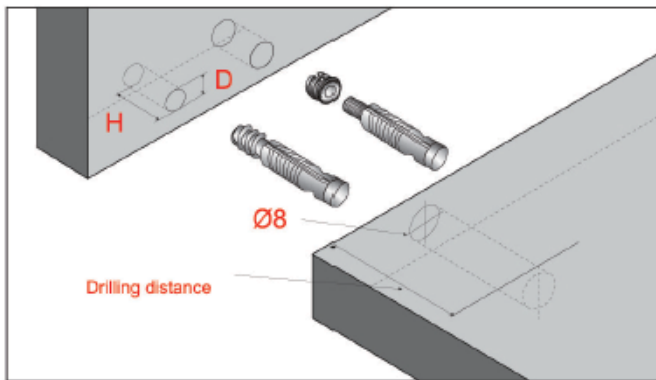
Material: PA+Steel



| Item number | A | B | D×H |
|-------------|------|-----|--------|
| 61-CB2775 | 23mm | 9mm | 10×9mm |
| 61-CB2780 | 26mm | 9mm | 10×9mm |
| 61-CB2785 | 31mm | 9mm | 10×9mm |
| 61-CB2795 | 33mm | 9mm | 10×9mm |

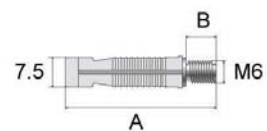
Hidden Quickfit Bolt Combination

- No hole in appearance after installation



Thread Bolt

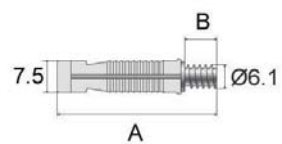
Material: PA+Steel



| Item number | A | B | D×H |
|-------------|------|-----|-----|
| 61-CB2930 | 40mm | 8mm | - |

Self-driven

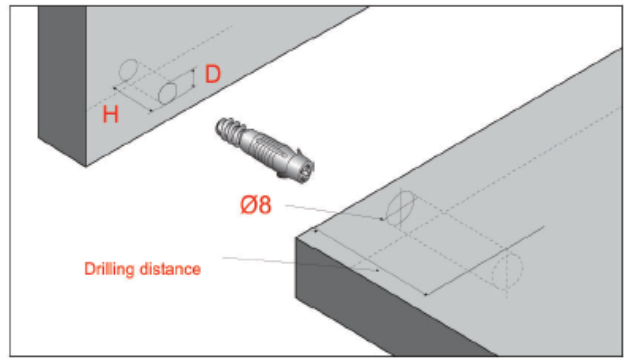
Material: PA+Steel



| Item number | A | B | D×H |
|-------------|------|-----|-------|
| 61-CB2935 | 40mm | 8mm | 5×9mm |

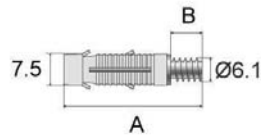
Hidden Quickfit Bolt One-piece

- Hidden quickfit bolt without using the cams
- No hole in appearance after installation



Self-driven

Material: PA+Steel



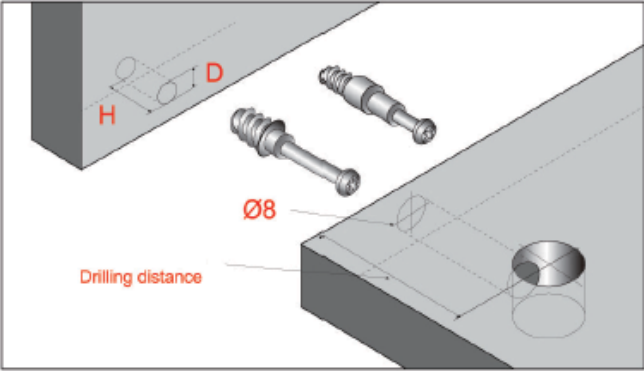
Customizable plastic part



| Item number | A | B | D×H |
|-------------|------|-----|-------|
| 61-CB2938 | 34mm | 8mm | 5×9mm |

Special Bolt Series

• Special sizes can be customized



Customizable finish of dowel



Nickel plating



Irised-zinc plating



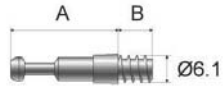
Blue-zinc plating



White-zinc plating

Self-driven

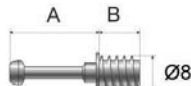
Material: Steel



| Item number | A | B | D×H |
|-------------|------|------|--------|
| 61-CB2940 | 24mm | 11mm | 5×11mm |
| 61-CB2941 | 34mm | 11mm | 5×11mm |

Self-driven

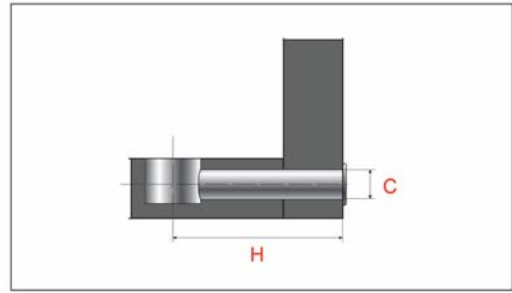
Material: Steel



| Item number | A | B | D×H |
|-------------|------|-------|--------|
| 61-CB2945 | 20mm | 9.5mm | 7×10mm |

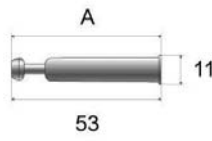
Ended Bolt Series

- Special sizes can be customized

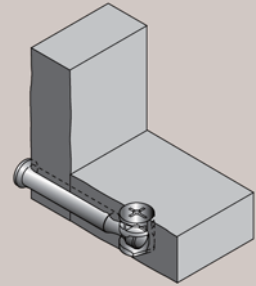


Ended bolt

Material: Steel



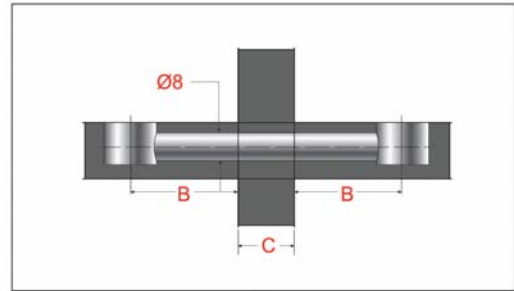
◆ Instruction of the end dowels



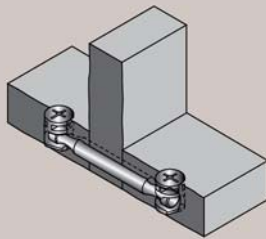
| Item number | L | A | C×H |
|-------------|------|------|--------|
| 61-CB2950 | 53mm | 51mm | 8×51mm |

Double-ended Bolt Series

- Special sizes can be customized



Instruction of the double-ended dowels



Without circlip

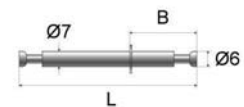
Material: Steel



| Item number | L | B | C |
|-------------|------|------|------|
| 61-CB2970 | 48mm | 24mm | 0 |
| 61-CB2971 | 52mm | 26mm | 0 |
| 61-CB2972 | 54mm | 27mm | 0 |
| 61-CB2973 | 60mm | 24mm | 12mm |
| 61-CB2974 | 64mm | 32mm | 0 |
| 61-CB2975 | 68mm | 34mm | 0 |
| 61-CB2976 | 70mm | 27mm | 16mm |
| 61-CB2977 | 74mm | 28mm | 18mm |
| 61-CB2978 | 80mm | 32mm | 16mm |
| 61-CB2979 | 82mm | 32mm | 18mm |
| 61-CB2980 | 84mm | 34mm | 16mm |

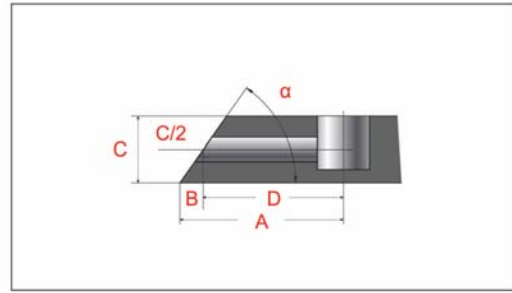
Without circlip

Material: Steel



| Item number | L | B | C |
|-------------|------|------|----|
| 61-CB2969 | 64mm | 24mm | 16 |
| 61-CB2968 | 74mm | 28mm | 18 |
| 61-CB2967 | 84mm | 34mm | 16 |
| 61-CB2966 | 86mm | 34mm | 18 |
| 61-CB2665 | 87mm | 34mm | 19 |

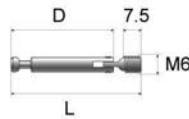
Angled Bolt Series



- Special sizes can be customized

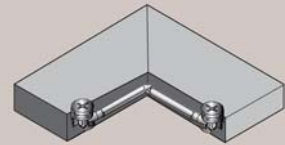
Angled bolt

Material: Steel



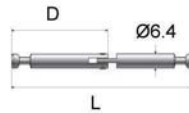
| Item number | L | D |
|-------------|------|------|
| 61-CB2950 | 56mm | 44mm |

Instruction of the angled dowels



Angled bolt

Material: Steel



| Item number | L | D |
|-------------|------|------|
| 61-CB2959 | 63mm | 30mm |
| 61-CB2958 | 74mm | 39mm |
| 61-CB2957 | 79mm | 42mm |
| 61-CB2955 | 84mm | 44mm |

(Distance $A=B+D$)

| $\alpha=$ | 20° | 25° | 30° | 35° | 40° | 45° | 50° | 55° | 60° | 65° | 70° | 75° | 80° | 85° |
|-----------|------|------|------|------|------|-----|-----|-----|-----|-----|-----|-----|-----|--------|
| C=13 | 17.9 | 13.9 | 11.3 | 9.5 | 7.7 | 6.5 | 5.5 | 4.6 | 3.8 | 3 | 2.4 | 1.7 | 1.1 | 0.6 |
| 15 | 20.6 | 16.1 | 13 | 10.7 | 8.9 | 7.5 | 6.3 | 5.3 | 4.3 | 3.5 | 2.7 | 2 | 1.3 | 0.7 |
| 16 | 22 | 17.2 | 13.9 | 11.4 | 9.5 | 8 | 6.7 | 5.6 | 4.6 | 3.7 | 2.9 | 2.1 | 1.4 | 0.7 |
| 18 | 24.8 | 19.3 | 15.6 | 12.9 | 10.7 | 9 | 7.6 | 6.3 | 5.2 | 4.2 | 3.3 | 2.4 | 1.6 | 0.8 |
| 19 | 26.1 | 20.4 | 16.5 | 13.6 | 11.3 | 9.5 | 8 | 6.7 | 5.5 | 4.4 | 3.5 | 2.5 | 1.7 | 0.8 =B |